



• Pyrowell G-2

350°C to 1800°C

Features

- Two Wire Designed IR Pyrometer with fibre Optics
- Temperature measurement from 350°C...1800°C
- Spectral range 1.6 µm
- Analog Output 4-20mA (Two Wire)
- USB 2.0 Digital output
- Highly accurate 0.3% of measured value
- Fast response time of 250 msec
- Fibre optic withstand ambient temperature upto 250°C
- Very good stability
- User friendly PC software

Standard Scope of Supply

- Two Wire Pyrometer with 6mtr Long heavy duty Fibre optic cable in SS conduit
- Optical head
- Analog Output 4...20mA (Two Wire)
- USB 2.0 digital output
- 1.5 mtr. long connection cable with connector
- Calibration Certificate, PC software and operation manual

Optional

- Extra cable lengths
- Mechanical and Electrical Accessories
- USB cable

Applications

- Coke oven

• Pyrowell G-2

Highly Accurate On line Infrared Non-Contact Pyrometer with Fibre Optic Cable & Ceramic Tube for Coke Oven Application



Pyrowell G-2 is specially designed highly accurate digital IR Fibre Optic pyrometer with ceramic tube which provides high performance and low maintenance of non contact temperature measurement of coke oven temperature.

Pyro-well G-2 is a combination of IR non-contact sensor & one end closed sighting tube like Thermowell. In Optical head on top of the ceramic well is connected to a fibre optic cable and the other end is connected to electronics.

The sighting tube is made up Ceramic which protects IR sensor from excessive pressure, material velocity & corrosion. Ceramic tube is unaffected by dust, fumes & gases etc. hence measures accurate temperature.

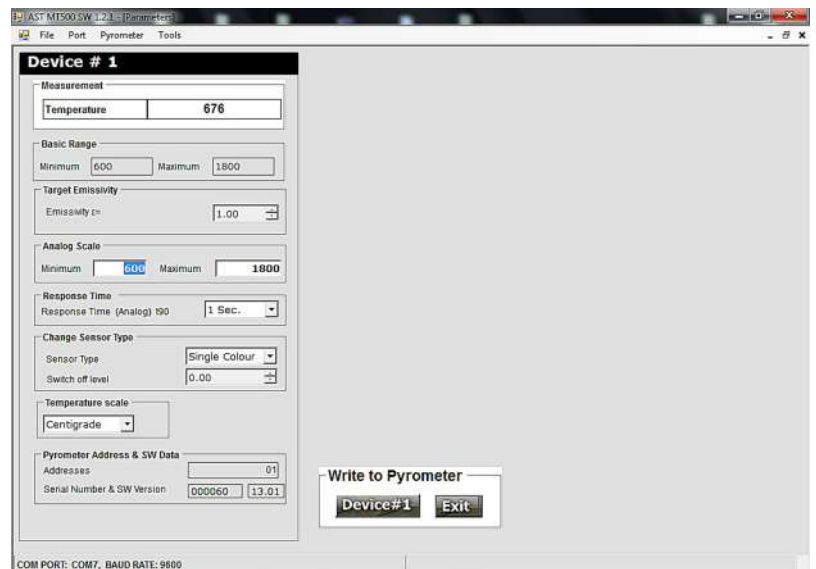
The rugged fiber optic cable is designed to withstand high ambient temperature in cement industry without water cooling. Emissivity, Subrange, Response time can be preset ex-works or adjusted through software. This enables the instruments to be adapted to various measuring tasks. The particular IR Pyrometer model has small optical head which placed before the flange so it will not affected by external factors even if ceramic tube breaks.

Software “Infrasoft”

AST “MT500” software is under standard scope of supply. It offers possibilities of connecting two pyrometers simultaneously for parameter setting, Communication between the pyrometer and the software is implemented via a cable connected between the pyrometer and the PC serial port. It comes with record feature and parameter settings features.

Some of the parameters adjustable via software are

- Emissivity
- Response Time
- Analog Sub Range
- Unit Of Temperature(°C/°F)



Technical Specifications

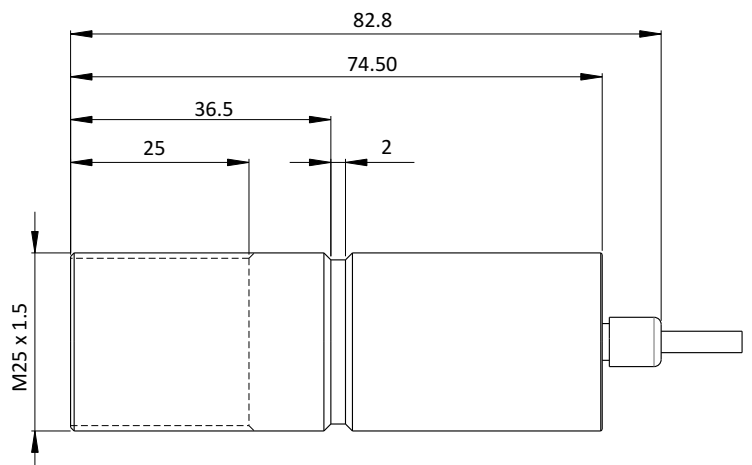
Model	Pyrowell G-2
Temperature Range (Analog sub-range adjustable)	350°C to 1800°C
Spectral Range	1.6 µm
Photodetector Type	InGaAs
Distance to Spot Size Ratio	200:1 (Min Spot Size 11mm)
Emissivity (ε)	0.05.....1.0 adjustable via DIP switch
Response Time	250 msec adjustable upto 10 sec
Accuracy	± 0.3% of measured value or ± 3°C whichever is greater
Repeatability	± 0.2% of reading in °C + 1°C
Analog Output	4 - 20mA (Two Wire)
Digital Output	USB 2.0
Operating Temp. Range	Pyrometer 0°C....70°C(Electronics) Optical head and Fibre Optic max 250°C
Storage Temp. Range	-20°C...70°C
Adjustable Parameters and Features via Software	Response Time, Analog Scale (Sub Range), Unit Of Temperature (°C/°F) etc
Power Supply	24 V DC (Looped)
Power Consumption	Max 0.5 watt
Protection Class	IP65
Housing	Optical head-Stainless Steel; Electronic Box: Aluminium
Operating Humidity	10-95%, non condensing conditions
Weight & Dimensions	0.500 Kg 112.5mmx82.5mmx33mm(L x W x H)
Length below Flange	1000 mm

Spot Sizes

Working Distance(mm)	700	1000	1200	1500	1800
Spot Sizes(mm)	3.5	5.0	6.0	7.5	9

Pyrometer Drawing

Optical Head II



We measure accurate temperature in extreme conditions

Accessories

Ceramic Tube



Replacement fiber optic (PTFE) cable 5 M
(Reference no: 5000-02)



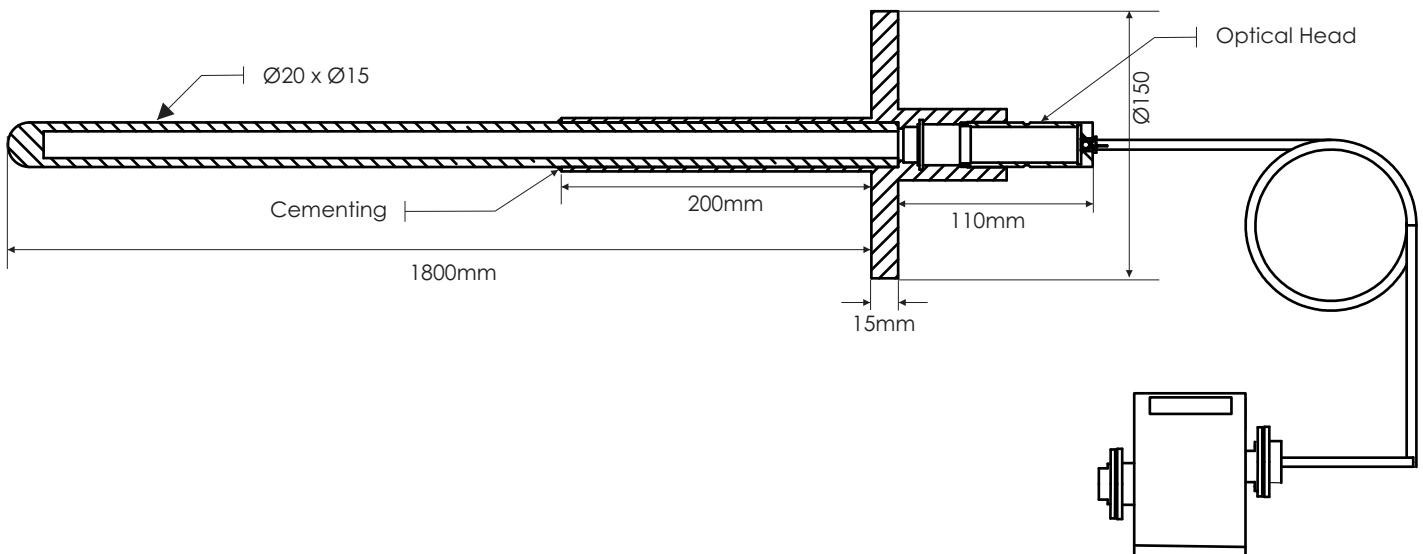
Power supply Input 110/230V AC
Reference No. 9000 - 02
Output 24 V DC, 0.7Amp.



Temperature Indicator
Reference no: 9000-01



Dimensions



Accurate Sensing Technologies Pvt. Ltd.

B-188, B-189, B-169(Part), B-188A & F-188E, Road No. - 5,
Mewar Industrial Area(M. I. A.), Madri, Udaipur-313003,
(Rajasthan) INDIA

Phone : +91-9352506032

Email : info@pyrosens.com

